

Motor Brakes

AC Motor Brakes - Nema 2 Housing



AC MOTOR BRAKES

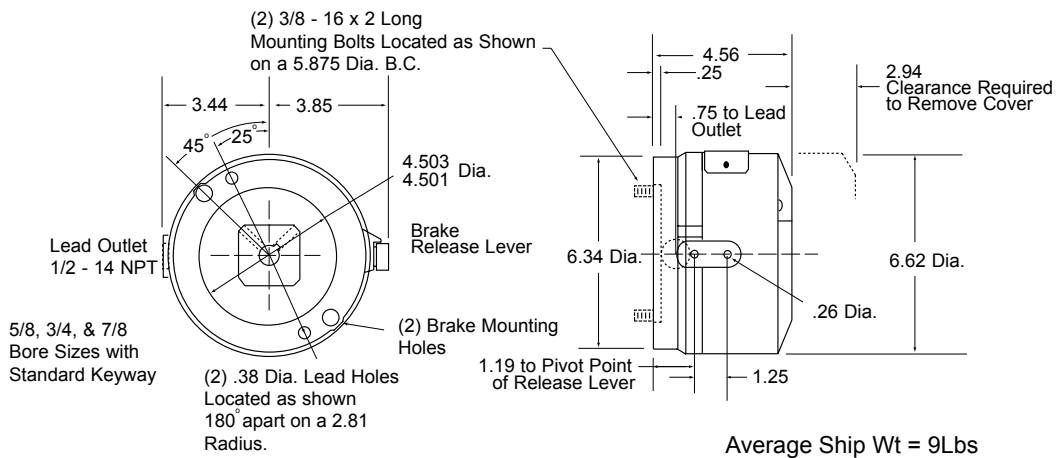
56,000 & 56,100 Nema 2 Housing
56,300 Nema 1 Housing

F Series

Factory Assembled and Tested
 Manual Release
 AC Power Off
 Rear Mounted
 Aluminum Head
 Steel Cover

3 Ft-Lb
 6 Ft-Lb
 10 Ft-Lb
 15 Ft-Lb

AC Rear Mounted Brake



Brake Part Numbers

COIL VOLTAGE	5/8 BORE HUB			
	3 FT. LB. BRAKES	6 FT. LB. BRAKES	10 FT. LB. BRAKES	15 FT. LB. BRAKES
115/230, 60HZ	F51A0321	F52A0621	F52A0721	F53A0821
230/460, 60 HZ	F51A0324	F52A0624	F52A0724	F53A0824
287/575, 60 HZ	F51A0325	F52A0625	F52A0725	F53A0825
115/230, 50HZ	F51A0328	F52A0628	F52A0728	F53A0828
230/460, 50 HZ	F51A0329	F52A0629	F52A0729	F53A0829

COIL VOLTAGE	3/4 BORE HUB			
	3 FT. LB. BRAKES	6 FT. LB. BRAKES	10 FT. LB. BRAKES	15 FT. LB. BRAKES
115/230, 60HZ	F51B0321	F52B0621	F52B0721	F53B0821
230/460, 60 HZ	F51B0324	F52B0624	F52B0724	F53B0824
287/575, 60 HZ	F51B0325	F52B0625	F52B0725	F53B0825
115/230, 50HZ	F51B0328	F52B0628	F52B0728	F53B0828
230/460, 50 HZ	F51B0329	F52B0629	F52B0729	F53B0829

COIL VOLTAGE	7/8 BORE HUB			
	3 FT. LB. BRAKES	6 FT. LB. BRAKES	10 FT. LB. BRAKES	15 FT. LB. BRAKES
115/230, 60HZ	F51C0321	F52C0621	F52C0721	F53C0821
230/460, 60 HZ	F51C0324	F52C0624	F52C0724	F53C0824
287/575, 60 HZ	F51C0325	F52C0625	F52C0725	F53C0825
115/230, 50HZ	F51C0328	F52C0628	F52C0728	F53C0828
230/460, 50 HZ	F51C0329	F52C0629	F52C0729	F53C0829

Technical Data

60 HZ BRAKE COILS SINGLE PHASE			50HZ BRAKE COILS SINGLE PHASE			STATIC TORQUE FT. LB.	NUMBER DISCS
VOLTAGE	CURRENT HOLDING AMPS	CURRENT INRUSH AMPS	VOLTAGE	CURRENT HOLDING AMPS	CURRENT INRUSH AMPS		
115/230	.50/.25	3.66/1.83	115/230	.45/.22	3.27/1.64	3	1
230/460	.28/.14	1.94/.97	230/460	.24/.12	1.76/.88	6	2
287/575	.22/.11	1.54/.77				10	2
						15	3

AC Motor Brakes - Nema 2 Housing



AC MOTOR BRAKES

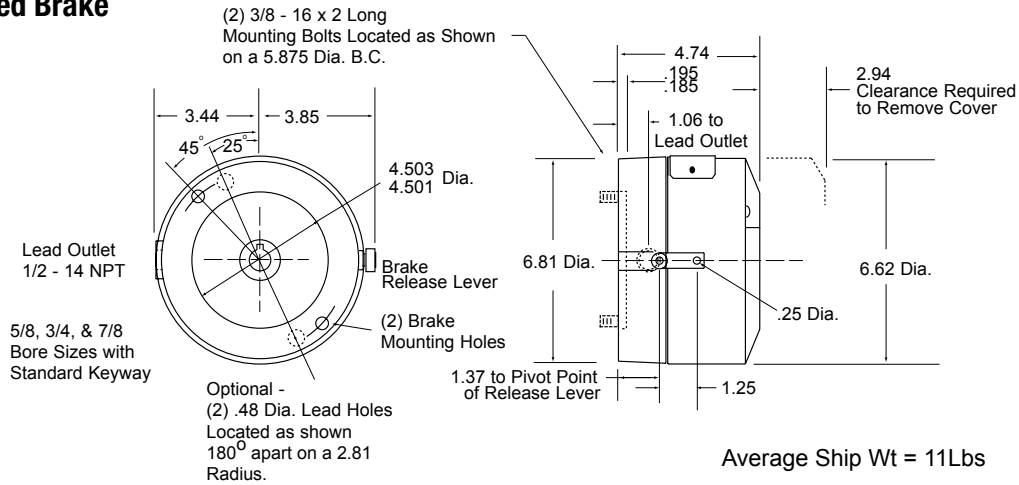
56,400 Nema 2 Housing

F Series

Factory Assembled and Tested
 Manual Release
 AC Power Off
 Rear Mounted
 Cast Iron Head
 Steel Cover

3 Ft-Lb
 6 Ft-Lb
 10 Ft-Lb
 15 Ft-Lb

AC Rear Mounted Brake



Brake Part Numbers

COIL VOLTAGE	5/8 BORE HUB			
	3 FT. LB. BRAKES	6 FT. LB. BRAKES	10 FT. LB. BRAKES	15 FT. LB. BRAKES
115/230, 60HZ	F51A7321	F52A7621	F52A7721	F53A7821
230/460, 60 HZ	F51A7324	F52A7624	F52A7724	F53A7824
287/575, 60 HZ	F51A7325	F52A7625	F52A7725	F53A7825
115/230, 50HZ	F51A7328	F52A7628	F52A7728	F53A7828
230/460, 50 HZ	F51A7329	F52A7629	F52A7729	F53A7829

COIL VOLTAGE	3/4 BORE HUB			
	3 FT. LB. BRAKES	6 FT. LB. BRAKES	10 FT. LB. BRAKES	15 FT. LB. BRAKES
115/230, 60HZ	F51B7321	F52B7621	F52B7721	F53B7821
230/460, 60 HZ	F51B7324	F52B7624	F52B7724	F53B7824
287/575, 60 HZ	F51B7325	F52B7625	F52B7725	F53B7825
115/230, 50HZ	F51B7328	F52B7628	F52B7728	F53B7828
230/460, 50 HZ	F51B7329	F52B7629	F52B7729	F53B7829

COIL VOLTAGE	7/8 BORE HUB			
	3 FT. LB. BRAKES	6 FT. LB. BRAKES	10 FT. LB. BRAKES	15 FT. LB. BRAKES
115/230, 60HZ	F51C7321	F52C7621	F52C7721	F53C7821
230/460, 60 HZ	F51C7324	F52C7624	F52C7724	F53C7824
287/575, 60 HZ	F51C7325	F52C7625	F52C7725	F53C7825
115/230, 50HZ	F51C7328	F52C7628	F52C7728	F53C7828
230/460, 50 HZ	F51C7329	F52C7629	F52C7729	F53C7829

Technical Data

60 HZ BRAKE COILS SINGLE PHASE			50HZ BRAKE COILS SINGLE PHASE			STATIC TORQUE FT. LB.	NUMBER DISCS
VOLTAGE	CURRENT HOLDING AMPS	CURRENT INRUSH AMPS	VOLTAGE	CURRENT HOLDING AMPS	CURRENT INRUSH AMPS		
115/230	.50/.25	3.66/1.83	115/230	.45/.22	3.27/1.64	3	1
230/460	.28/.14	1.94/.97	230/460	.24/.12	1.76/.88	6	2
287/575	.22/.11	1.54/.77				10	2
						15	3