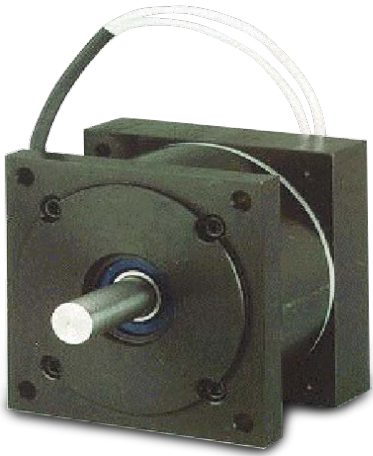


# Double C-Face Power-Off Brakes – MPC

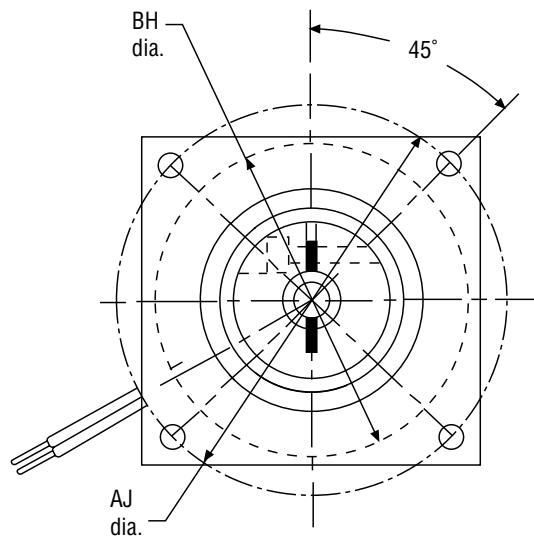
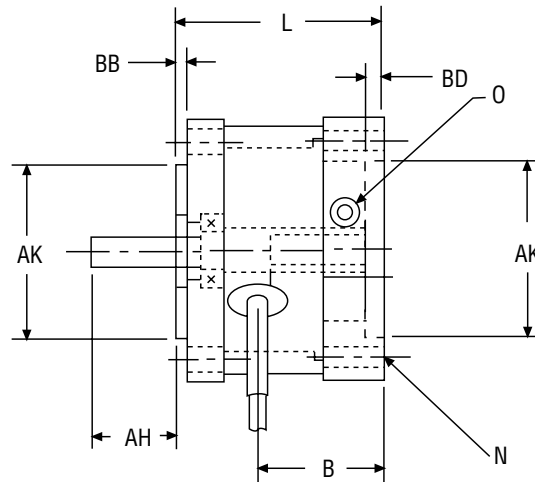
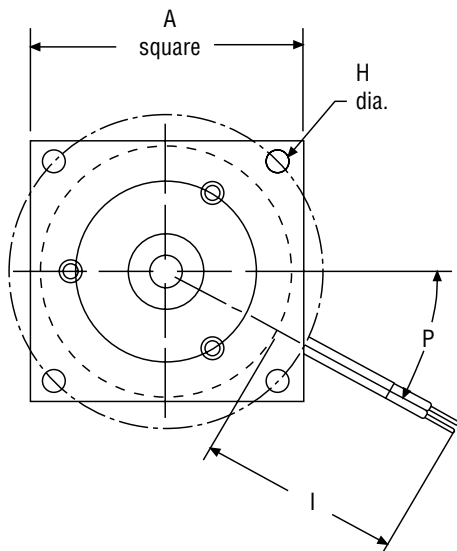
## Double C-Face Power-Off Brakes for Nema 17, 23, 34 and 42 Frames



### MPC BRAKE ONLY MODULE (POWER-OFF) WITH OUTPUT SHAFT C-FACE

#### Double C-Face Power-Off Brakes – Type MPC

The MPC is a power-off brake module with an output shaft. The unit mounts on a C-Face motor, and the output can be coupled to a C-Face gear reducer. Ideal for creating brake/motor packages on smaller servo and stepper frame motors.



# Double C-Face Power-Off Brakes – MPC

## Double C-Face Power-Off Brakes for Nema 17, 23, 34 and 42 Frames

### Mechanical

MODEL NO.	STATIC TORQUE LB. - IN.	INERTIA LB. - IN. <sup>2</sup>	WGT. OZ.
MPC17	1	.0024	7
MPC23	3, 5, 10	.0087	17
MPC34	15, 25	.1120	46
MPC42	50	.2060	96

<sup>1</sup> Also available in higher torque sizes – consult Inertia Dynamics for more information.

### Electrical

MODEL NO.	90 VDC		24 VDC		12 VDC		120 VAC	
	AMPS	OHMS	AMPS	OHMS	AMPS	OHMS	AMPS	OHMS
MPC17	.051	1880	.220	117	.430	30	.044	N.A.
MPC23	.041	2177	.182	132	.353	34	.048	N.A.
MPC34	.098	922	.369	65.1	.719	16.7	.077	N.A.
MPC42	.194	465	.717	35.5	1.54	7.8	.140	N.A.

### Dimensions – Imperial

MODEL NO.	PART #	NEMA FRAME	INPUT SHAFT DIA.	OUTPUT SHAFT DIA.	TORQUE	A	AH <sup>1</sup>	AJ	AK	B	BB	BD	BH	H	N	I	L	O <sup>***</sup>	P
MPC17	8917-2221	17	3/16	3/16	1	1.65	.71	1.725	.866	.82	.080	.100	1.50	(4) #4-40-2B	(4) .125	11.50	1.57	#4-40	60
MPC23	8923-x331	23	1/4	1/4	3	2.25	.70	2.625	1.500	1.18	.100	.145	2.13	(4) .205	(4) #10-24-2B	16.75	1.876	#6-32	30
MPC23	8923-x551	23	3/8	3/8	3	2.25	.70	2.625	1.500	1.18	.100	.145	2.13	(4) .205	(4) #10-24-2B	16.75	2.506	#6-32	30
MPC23	8923-x531	23	3/8	1/4	3	2.25	.70	2.625	1.500	1.18	.100	.145	2.13	(4) .205	(4) #10-24-2B	16.75	2.506	#6-32	30
MPC23	8923-x631	23	1/2	1/4	3	2.25	.70	2.625	1.500	1.18	.100	.145	2.13	(4) .205	(4) #10-24-2B	16.75	2.506	#6-32	30
MPC23	8923-x651	23	1/2	3/8	3	2.25	.70	2.625	1.500	1.18	.100	.145	2.13	(4) .205	(4) #10-24-2B	16.75	2.506	#6-32	30
MPC23	8923-x335	23	1/4	1/4	5	2.25	.70	2.625	1.500	1.18	.100	.145	2.13	(4) .205	(4) #10-24-2B	16.75	1.876	#6-32	30
MPC23	8923-2556	23	3/8	3/8	10	2.25	1.09	2.625	1.500	1.18	.100	.145	2.13	(4) .205	(4) #10-24-2B	16.75	2.831	#8-32	30
MPC34	8934-X551	34	3/8	3/8	15	3.25	1.16	3.875	2.875	1.58	.100	.145	2.878	(4) .222	(4) #10-24-2B	18.00	2.578	1/4-28	15
MPC34	8934-x661	34	1/2	1/2	15	3.25	1.16	3.875	2.875	1.58	.100	.145	2.878	(4) .222	(4) #10-24-2B	18.00	2.578	1/4-28	15
MPC34	8934-2555	34	3/8	3/8	25	3.25	1.16	3.875	2.875	1.58	.100	.145	2.878	(4) .222	(4) #10-24-2B	18.00	2.578	1/4-28	15
MPC34	8934-2665	34	1/2	1/2	25	3.25	1.16	3.875	2.875	1.58	.100	.145	2.878	(4) .222	(4) #10-24-2B	18.00	2.578	1/4-28	15
MPC42	8942-x661	42	1/2	1/2	50	4.25	1.23	4.950	2.189	2.27	.100	.125	3.50	(4) .320	(4) #5/16-18-2B	18.00	4.056	1/4-28	90
MPC42	8942-x771	42	5/8	5/8	50	4.25	1.23	4.950	2.189	2.27	.100	.125	3.50	(4) .320	(4) #5/16-18-2B	18.00	4.056	1/4-28	90
MPC42	8942-x881	42	3/4	3/4	50	4.25	1.23	4.950	2.189	2.27	.100	.125	3.50	(4) .320	(4) #5/16-18-2B	18.00	4.056	1/4-28	90

\* 23 and 34 frame also available in 3/8 bore.

\*\* 42 frame also available with 3/8 and 1/2" hub and shaft.

\*\*\* Socket head cap screw for clamp collar.

<sup>1</sup> Alternate shaft lengths available – consult factory.

### Dimensions – Metric

MODEL NO.	PART #	NEMA FRAME	INPUT SHAFT DIA.	OUTPUT SHAFT DIA.	TORQUE N-M	A	AH <sup>1</sup>	AJ	AK	B	BB	BD	BH	H	N	I	L	O <sup>***</sup>	P
MPC17	M8917-x111	17	5mm	5mm	.11	41.91	18.034	43.815	21.996	20.828	2.032	2.54	38.1	(4) #4-40-2B	(4) 3.175	292.1	39.88	#4-40	60
MPC34	M8934-2551	34	14mm	14mm	1.7	82.55	29.464	98.425	79.985	40.132	2.54	3.683	73.101	(4) 7.00	(4) M5x.8	457.2	65.48	M5	15
MPC34	M8934-2552	34	14mm	14mm	1.7	82.55	29.464	98.425	73.025	40.132	2.54	3.683	73.101	(4) 5.588	(4) #10-24-2B	457.2	65.48	M5	15

See page 50 for Ordering Information