

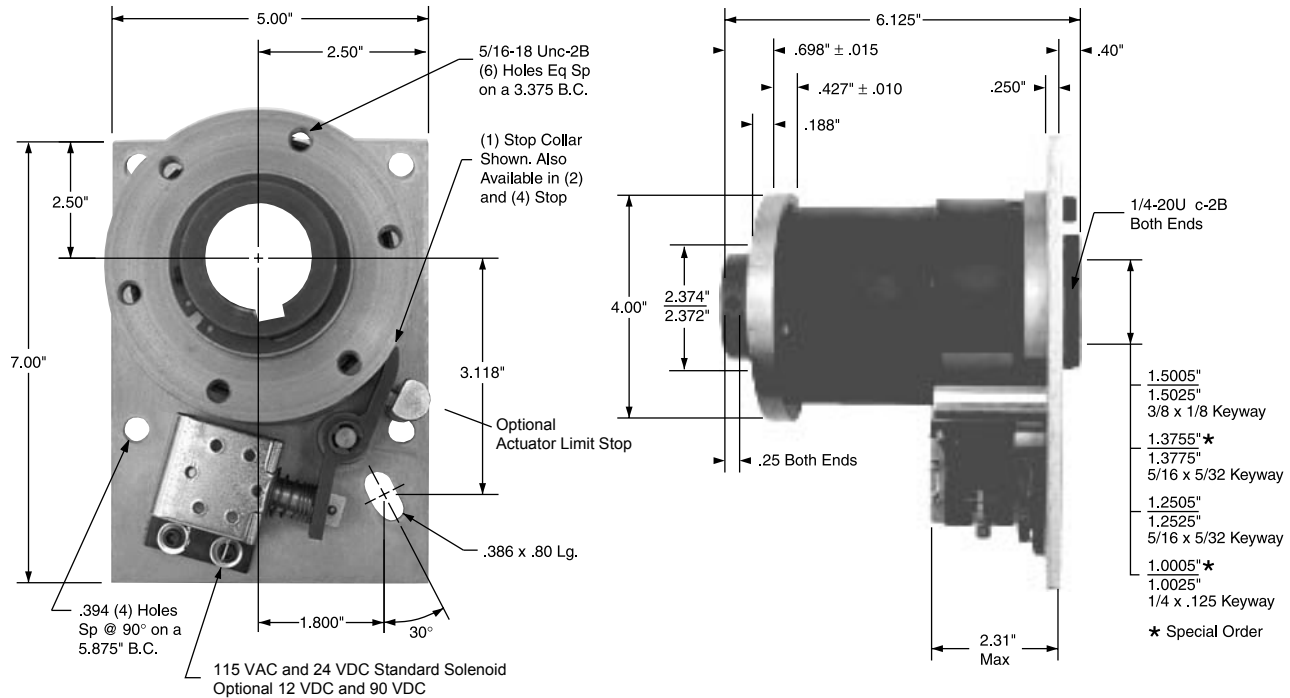
# Wrap Spring Clutches

## DCB-8 & DCB-8 SUPER Dimensions

Product Function: Start-Stop 

### Specifications

Maximum Speed: 300 RPM      Max. Anti-overnun Torque: 600 in.-lb.      Positioning Accuracy:  $\pm 1/2^\circ$   
 Static Torque: 2500 in.-lb      Max Anti-back Torque: 600 in.-lb.      Weight: 14.25 lbs.



Unit Shown is CW Rotation, CCW is Available

## DCB-8 Part Numbers

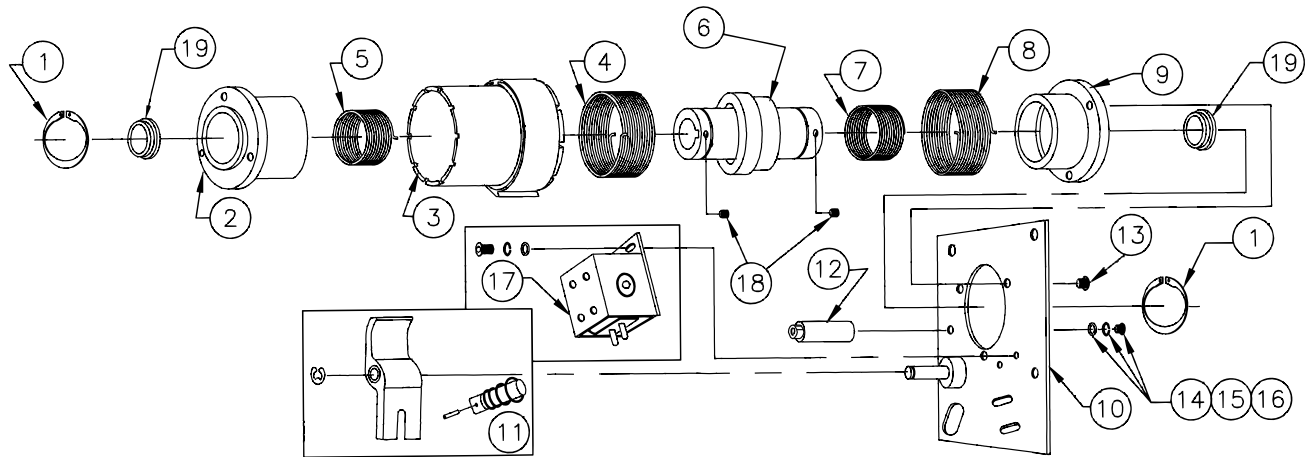
Part Number		Description			
CW Rotation	CCW Rotation	Model	Bore	Voltage	Stops
D308-17-107	D308-27-107	DCB8	1-1/4"	115VAC	1
D308-17-108	D308-27-108	DCB8	1-1/4"	115VAC	2
D308-17-109	D308-27-109	DCB8	1-1/4"	115VAC	4
D308-17-101	D308-27-101	DCB8	1-1/4"	24VDC	1
D308-17-102	D308-27-102	DCB8	1-1/4"	24VDC	2
D308-17-103	D308-27-103	DCB8	1-1/4"	24VDC	4
D308-17-125	D308-27-125	DCB8	1-1/2"	115VAC	1
D308-17-126	D308-27-126	DCB8	1-1/2"	115VAC	2
D308-17-127	D308-27-127	DCB8	1-1/2"	115VAC	4
D308-17-119	D308-27-119	DCB8	1-1/2"	24VDC	1
D308-17-120	D308-27-120	DCB8	1-1/2"	24VDC	2
D308-17-121	D308-27-121	DCB8	1-1/2"	24VDC	4

## DCB-8 SUPER Part Numbers

Part Number		Description			
CW Rotation	CCW Rotation	Model	Bore	Voltage	Stops
D328-17-043	D328-27-043	DCB8 SUPER	1-1/4"	115VAC	1
D328-17-044	D328-27-044	DCB8 SUPER	1-1/4"	115VAC	2
D328-17-045	D328-27-045	DCB8 SUPER	1-1/4"	115VAC	4
D328-17-019	D328-27-019	DCB8 SUPER	1-1/4"	24VDC	1
D328-17-020	D328-27-020	DCB8 SUPER	1-1/4"	24VDC	2
D328-17-021	D328-27-021	DCB8 SUPER	1-1/4"	24VDC	4
D328-17-037	D328-27-037	DCB8 SUPER	1-1/2"	115VAC	1
D328-17-038	D328-27-038	DCB8 SUPER	1-1/2"	115VAC	2
D328-17-039	D328-27-039	DCB8 SUPER	1-1/2"	115VAC	4
D328-17-013	D328-27-013	DCB8 SUPER	1-1/2"	24VDC	1
D328-17-014	D328-27-014	DCB8 SUPER	1-1/2"	24VDC	2
D328-17-015	D328-27-015	DCB8 SUPER	1-1/2"	24VDC	4

# Wrap Spring Clutches – Replacement Parts

## DCB-8 & DCB-8 SUPER Replacement Parts



Item	Part No.	Rotation or Voltage	Description
1	D748-1-0039		Retaining Ring
2	D540-8-0014 D541-8-0009		Input Hub Super - Input Hub
3	D266-8-0001 D266-8-0002 D266-8-0004 D266-8-0153 D266-8-0154 D266-8-0156 D266-8-0031 D266-8-0032 D266-8-0034 D266-8-0157 D266-8-0158 D266-8-0160	CW CW CW CW CW CW CCW CCW CCW CCW CCW CCW	1 Stop Collar 2 Stop Collar 4 Stop Collar Super - 1 Stop Collar Super - 2 Stop Collar Super - 4 Stop Collar 1 Stop Collar 2 Stop Collar 4 Stop Collar Super - 1 Stop Collar Super - 2 Stop Collar Super - 4 Stop Collar
4	D808-8-0003 D808-8-0004	CW CCW	Clutch Spring Clutch Spring
5	D808-8-0025 D808-8-0026	CW CCW	Anti-Overrun Spring Anti-Overrun Spring
6	D824-8-0328 D824-8-0326 D824-8-0578 D824-8-0576	1-1/4" 1-1/2" 1-1/4" 1-1/2"	Output Shaft Output Shaft Super - Output Shaft Super - Output Shaft
7	D808-8-0025 D808-8-0026	CW CCW	Anti-Back Spring Anti-Back Spring
8	D808-8-0003 D808-8-0004	CW CCW	Brake Spring Brake Spring
9	D540-8-0016 D541-8-0010		Brake Hub Super - Brake Hub
10	D686-8-0051 D686-8-0052	CW CCW	Plate Assembly Plate Assembly
11	D102-1-0004 D102-1-0021		Actuator Assembly D6 Coil Actuator Assembly D7 Coil
12	D816-1-0005		* Actuator Limit Stop
13	DY-10714		Socket Head Screw
14	D950-1-0052		* Flat Washer
15	D950-1-0019		* Lock Washer
16	D797-1-0035		* Socket Head Screw
17	D101-1-0028 D101-1-0031 D101-1-0053	24VDC 115VAC 24VDC	DCB-8 Coil Assembly D6 DCB-8 and Super Coil Assembly D6 Super - Coil Assembly D7
18	D797-1-0174		Set Screw
19	D950-8-0001		Super - Thrust Washer

\* Optional Actuator Limit Stop Feature