

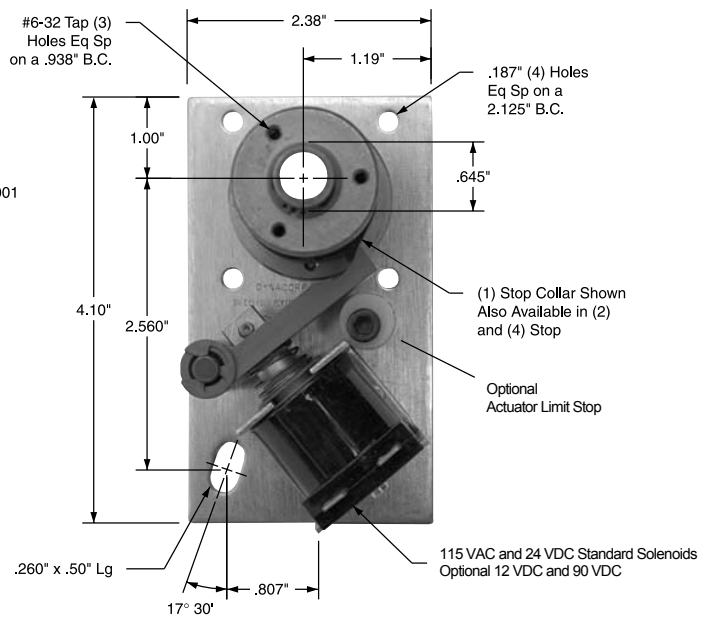
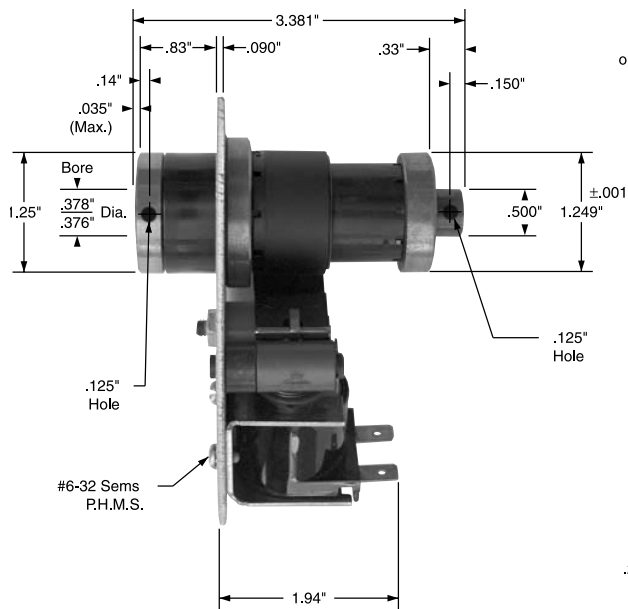
Wrap Spring Clutches

DCB-4 Dimensions

Product Function: Start-Stop 

Specifications

Maximum Speed:	1200 RPM
Static Torque:	120 in.-lb
Max. Anti-override Torque:	25 in.-lb.
Max Anti-back Torque:	80 in.-lb.
Positioning Accuracy:	± 1/2°
Weight:	1.25 lbs.



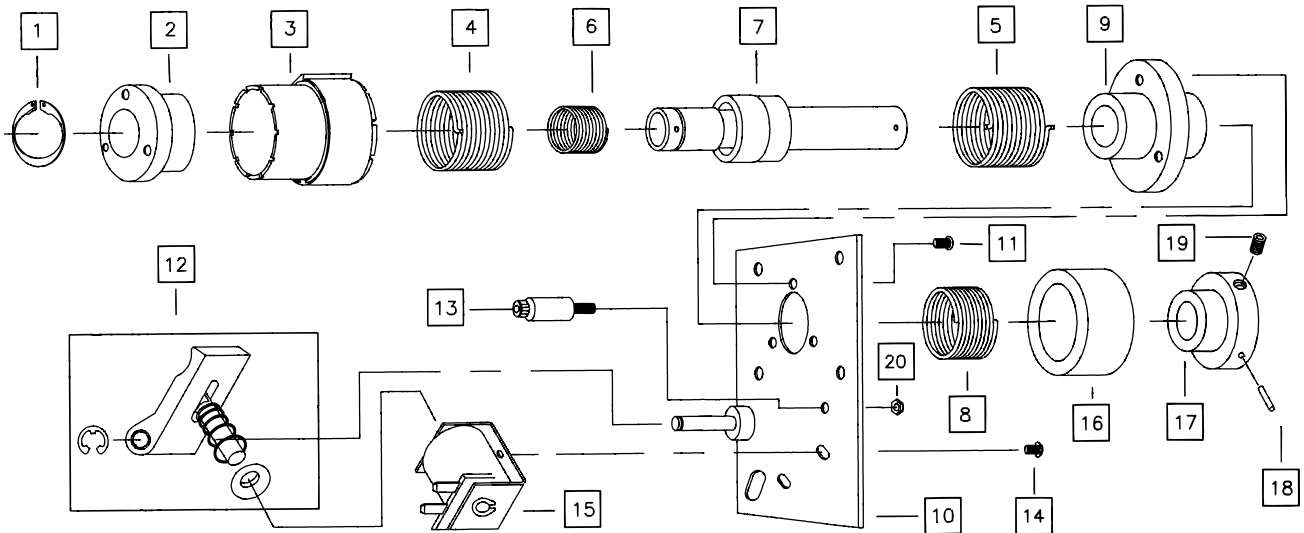
Unit Shown is CW Rotation, CCW is Available

DCB-4 Part Numbers

Part Number		Description			
CW Rotation	CCW Rotation	Model	Bore	Voltage	Stops
D304-17-003	D304-27-003	DCB4	3/8"	115VAC	1
D304-17-008	D304-27-015	DCB4	3/8"	115VAC	2
D304-17-018	D304-27-025	DCB4	3/8"	115VAC	4
D304-17-001	D304-27-001	DCB4	3/8"	24VDC	1
D304-17-011	D304-27-007	DCB4	3/8"	24VDC	2
D304-17-007	D304-27-026	DCB4	3/8"	24VDC	4

Wrap Spring Clutches – Replacement Parts

DCB-4 Replacement Parts



Item	Part No.	Rotation or Voltage	Description
1	D748-1-0027		Retaining Ring
2	D540-4-0021		Input Hub/Anti-Overrun
3	D266-4-0051 D266-4-0052 D266-4-0054 D266-4-0081 D266-4-0082 D266-4-0084	CW CW CW CCW CCW CCW	1 Stop Collar 2 Stop Collar 4 Stop Collar 1 Stop Collar 2 Stop Collar 4 Stop Collar
4	D808-4-0066 D808-4-0059	CW CCW	Drive Spring Drive Spring
5	D808-4-0016 D808-4-0017	CW CCW	Brake Spring Brake Spring
6	D808-4-0022 D808-4-0023	CW CCW	Anti-Overrun Spring Anti-Overrun Spring
7	D824-4-0015		Output Assembly/Anti-Overrun
8	D808-4-0018 D808-4-0019	CW CCW	Anti-Back Spring Anti-Back Spring
9	D540-4-0015		Brake Hub
10	D686-4-0001 D686-4-0002	CW CCW	Plate Assembly Plate Assembly
11	D797-1-0311		FLT HD Socket Cap Screw
12	D102-4-0005		Actuator Assembly
13	D816-1-0003		* Actuator Limit Stop Assembly
14	D797-1-0414		Pan HD Machine SCR Sems
15	D275-1-0162 D275-1-0163 D275-1-0165 D275-1-0166	12VDC 24VDC 90VDC 120VAC	Coil Assembly
16	D287-4-9002		Dust Cover (AB Spring)
17	D540-4-0018		Anti-Back Hub
18	D679-1-0022		Spring Pin
19	D797-1-0152		M-4 Headless SOC HD Screw
20	D661-1-0022		* Hex Nut

* Optional Actuator Limit Stop Feature