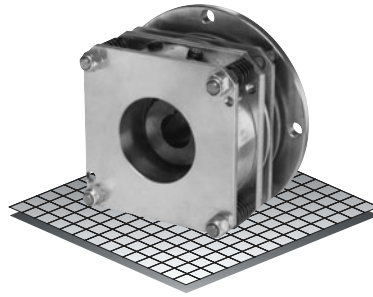


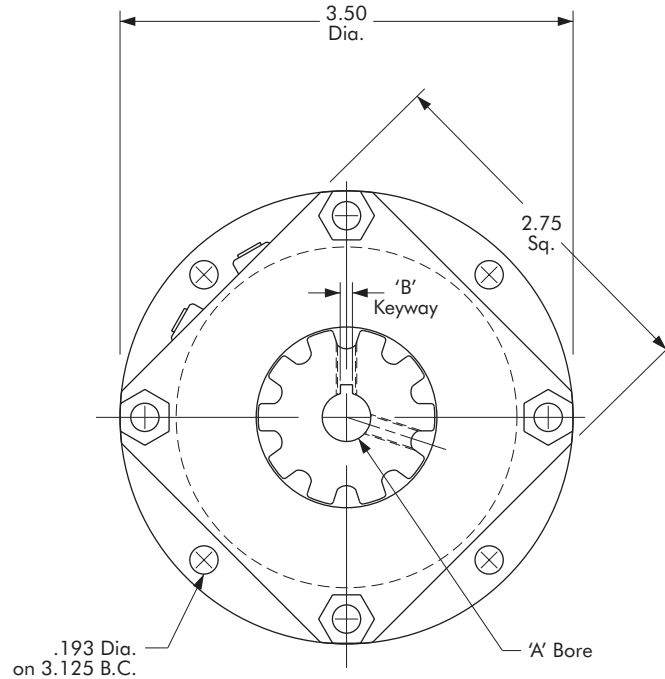
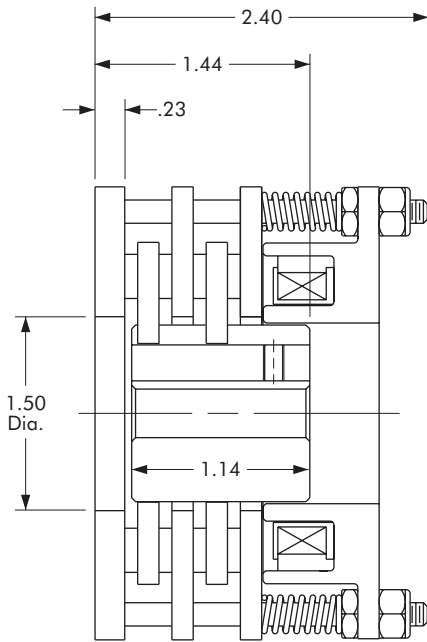
# Spring Set Holding Brake

Model

● 303HQ



- ▶ Factory Assembled and Tested
- ▶ Spline Drive
- ▶ Double Disc



"A" Bore	"B" Keyway
1/2"	None
5/8"	.188 x .093
3/4"	.188 x .093

## Technical Data and Torque (In. Lbs)

Model No.	Wt. Lbs.	Static Torque in. lb.	Coil Voltage vdc	* Rated Current amps
303HQ	2.12	60	90	.157

\* Rated Current for 90v.

Customer must maintain:

1. Concentricity between mounting flange and shaft within .006.
2. Perpendicularity between mounting surface and shaft within .006.

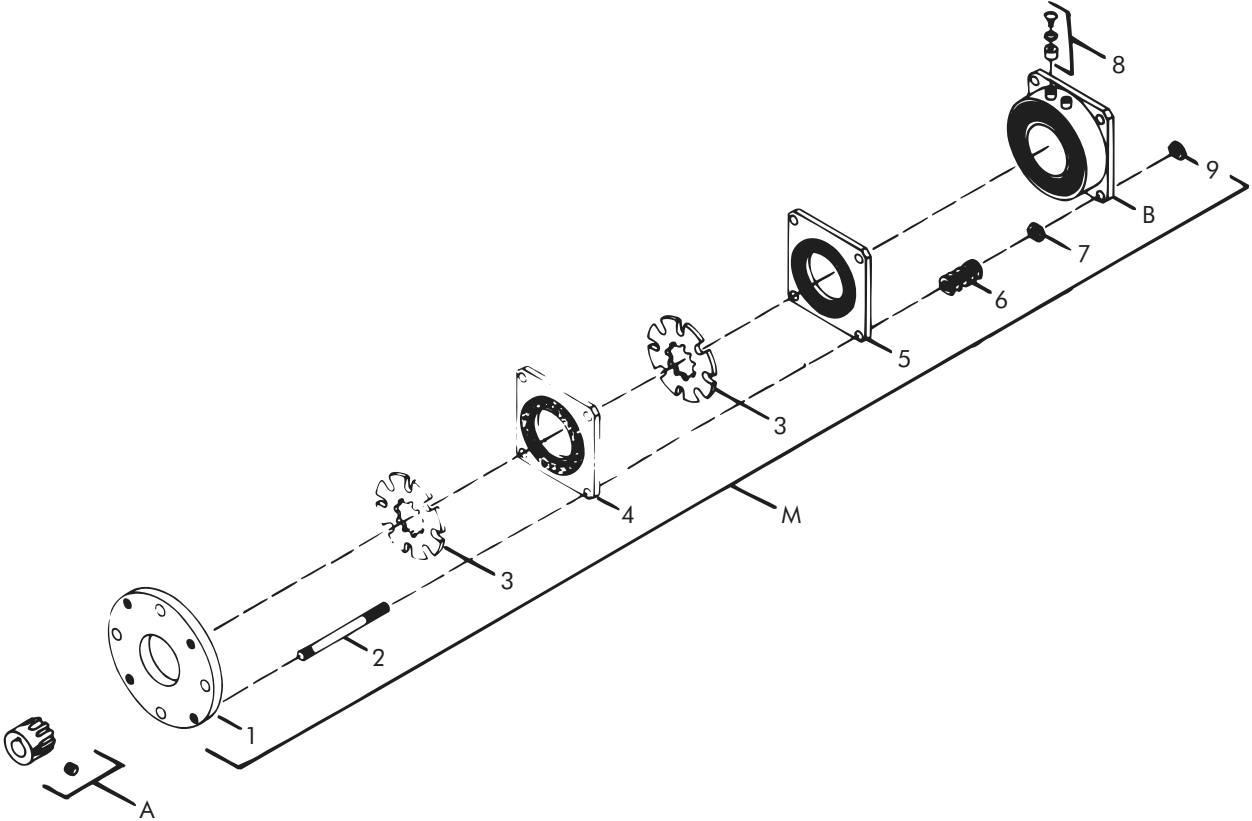
### Order Parts for Assembly No. FC303071

Item	Qty.	Description	Model No. 303HQ
A	1	Rotor Hub Assembly 1/2" Plain Bore 5/8" Bore 3/4" Bore	303466-DPB 303465-3 303465-4
M	1	Spring Set Holding Brake Double Disc 24 Volts 90 Volts	303072-3 303072-4

To order, specify: 1, Spring Set Holding Brake of required voltage  
1, Rotor Hub Assembly of required bore size.

For controls, see Section K.

# Spring Set Holding Brake – Replacement Parts



### Replacement Parts

Item	Qty.	Description	Model No. 303HQ
B	1	Coil Assembly 24 Volts 90 Volts	303333-1 303334-1
1	1	Back Plate	303810
2	4	Studs	326669
3	2	Rotor (10 Teeth)	303811
4	1	Float Plate	303812-5
5	1	Flapper	303812-1
6	4	Springs	RY-20023
7	4	Nuts	DY-10403
8	1	Accessory Kit	326147
9	4	Nuts	RY-20139