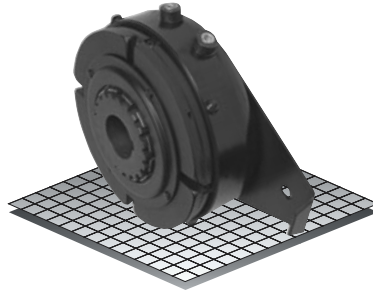


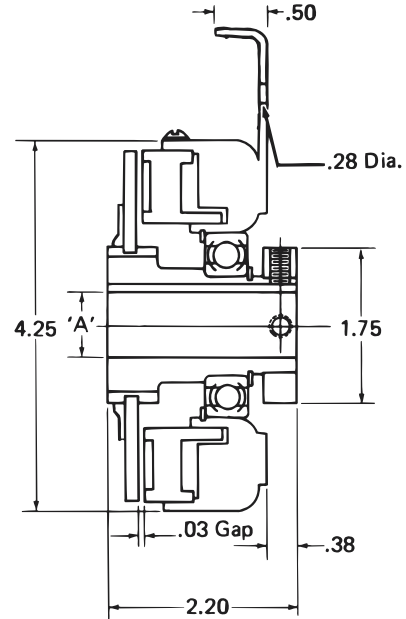
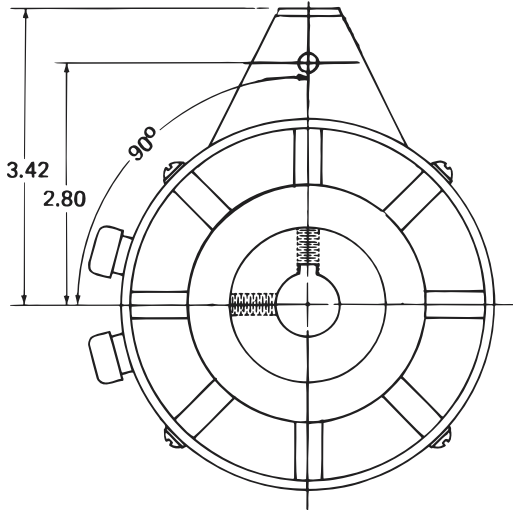
Shaft Mounted Brake

Model

● 304



- ▶ Factory Assembled and Tested
- ▶ Bearing Mounted
- ▶ Replaceable Face
- ▶ Spline Drive



| Bore "A" | Keyway |
|----------|-------------|
| 1/2" | .125 x .062 |
| 5/8" | .187 x .094 |
| 3/4" | .187 x .094 |
| 7/8" | .187 x .094 |

Technical Data and Torque (In. Lb.)

| Model No. | Wt. Lbs. | Static Torque in. lb. | Max. Speed RPM | Coil Voltage vdc | * Rated Current amps | RPM | | | | | | | | | |
|-----------|----------|-----------------------|----------------|------------------|----------------------|-----|-----|-----|-----|------|------|------|------|------|------|
| | | | | | | 0 | 300 | 600 | 900 | 1200 | 1500 | 1800 | 2400 | 3000 | 3600 |
| 304 | 4 | 264 | 3600 | 90 | .13 | 264 | 216 | 192 | 180 | 168 | 156 | 156 | 144 | 132 | 120 |

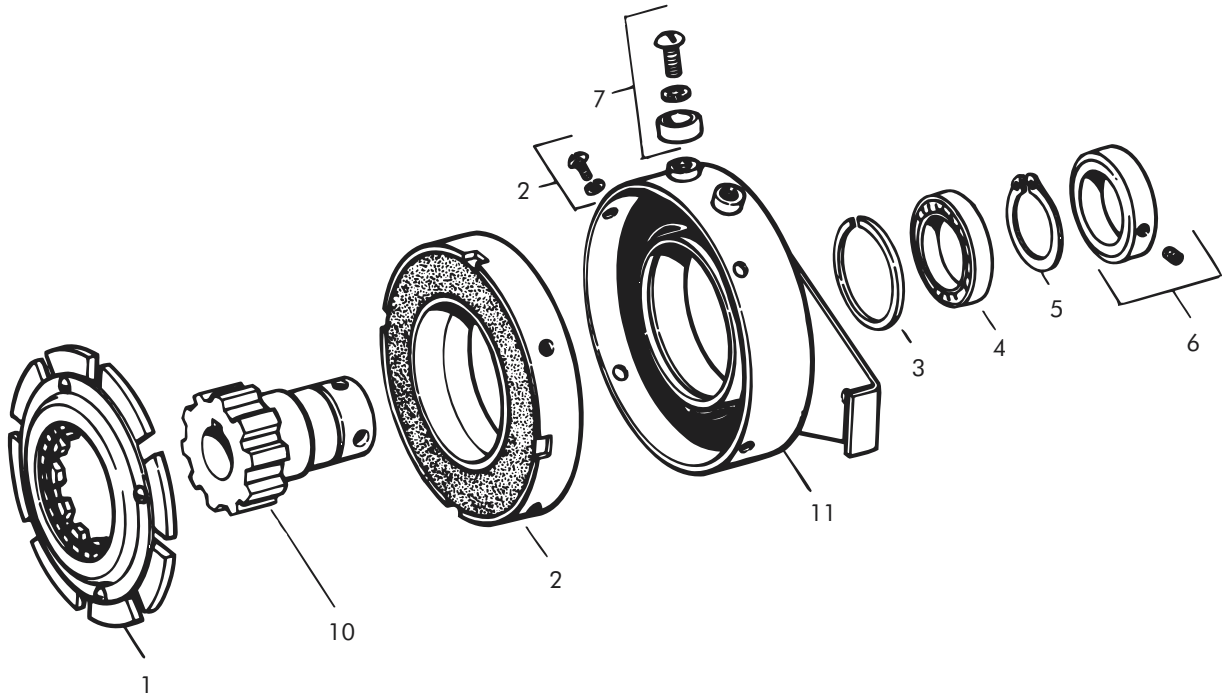
* Rated Current for 90v.

Refer to Section M for torque and heat dissipation curves.

| | Model No. 304 |
|---------------------|------------------|
| 24 Volts, 1/2" Bore | 304090-9 |
| 24 Volts, 5/8" Bore | 304090-10 |
| 24 Volts, 3/4" Bore | 304090-11 |
| 24 Volts, 7/8" Bore | 304090-12 |
| 90 Volts, 1/2" Bore | 304090-13 |
| 90 Volts, 5/8" Bore | 304090-14 |
| 90 Volts, 3/4" Bore | 304090-15 |
| 90 Volts, 7/8" Bore | 304090-16 |

To order, use number shown in Table above.
For controls, see Section K.

Shaft Mounted Brake – Replacement Parts



Replacement Parts

| Item | Qty. | Description | Part No. | Item | Qty. | Description | Part No. |
|------|------|-----------------------------------|----------|------|------|----------------|----------|
| 1 | 1 | Armature Assembly | 304396-8 | 10 | 1 | Splined Hub | |
| 2 | 1 | Replaceable Face Assembly | 304561-4 | | | 1/2" Bore | 304455-1 |
| 3 | 1 | Retaining Ring (Internal) | DY-10860 | | | 5/8" Bore | 304455-2 |
| 4 | 1 | Bearing | DY-11500 | | | 3/4" Bore | 304455-3 |
| 5 | 1 | Retaining Ring (External) | DY-1102 | | | 7/8" Bore | 304455-4 |
| 6 | 1 | Collar | 326519-1 | 11 | 1 | Magnet (Brake) | |
| 7 | 1 | Magnet Accessory | 326146-2 | | | 24 Volts | 304333-2 |
| 8 | 1 | Torque Arm Kit (Opt.) (not shown) | 327045 | | | 90 Volts | 304334-2 |

See Page E-12 for information on Torque Arm Kit.