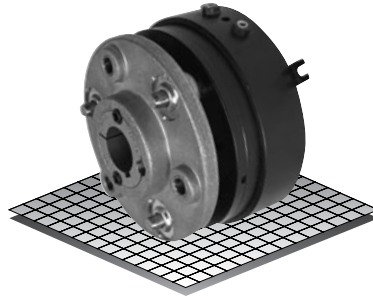


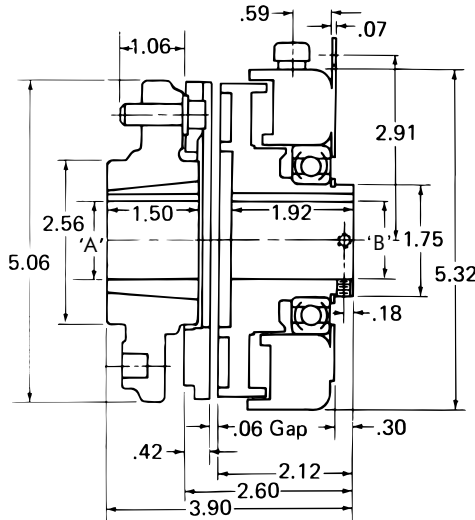
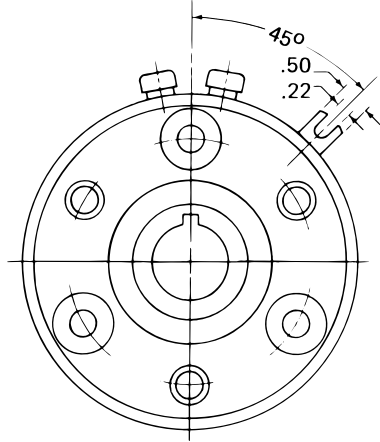
# Clutch Coupling

Model

● 305



- ▶ Stationary Field
- ▶ Bearing Mounted
- ▶ Pin Drive



### Bushing 1215

| Bore "A" | Keyway            | Part No.    |
|----------|-------------------|-------------|
| 1/2"     | .500 .125 x .062  | 326058 - 1  |
| 9/16"    | .562 .125 x .062  | 326058 - 2  |
| 5/8"     | .625 .187 x .093  | 326058 - 3  |
| 11/16"   | .687 .187 x .093  | 326058 - 4  |
| 3/4"     | .750 .187 x .093  | 326058 - 5  |
| 13/16"   | .812 .187 x .093  | 326058 - 6  |
| 7/8"     | .875 .187 x .093  | 326058 - 7  |
| 15/16"   | .937 .250 x .125  | 326058 - 8  |
| 1"       | 1.000 .250 x .125 | 326058 - 9  |
| 1-1/16"  | 1.062 .250 x .125 | 326058 - 10 |
| 1-1/8"   | 1.125 .250 x .125 | 326058 - 11 |
| 1-3/16"  | 1.187 .250 x .125 | 326058 - 12 |
| 1-1/4"   | 1.250 .250 x .125 | 326058 - 13 |

| Bore "B" | Keyway      |
|----------|-------------|
| 3/4"     | .187 x .094 |
| 7/8"     | .187 x .094 |
| 1"       | .250 x .125 |
| 1-1/8"   | .250 x .125 |
| 1-1/4"   | .250 x .125 |

### Technical Data and Torque (In. Lb.)

| Model No. | Wt. Lbs. | Static Torque in. lb. | Max. Speed RPM | Coil Voltage vdc | * Rated Current amps | RPM |     |     |     |      |      |      |      |      |      |
|-----------|----------|-----------------------|----------------|------------------|----------------------|-----|-----|-----|-----|------|------|------|------|------|------|
|           |          |                       |                |                  |                      | 0   | 300 | 600 | 900 | 1200 | 1500 | 1800 | 2400 | 3000 | 3600 |
| 305       | 6        | 684                   | 3600           | 90               | .40                  | 684 | 624 | 564 | 516 | 468  | 420  | 384  | 324  | 288  | 252  |

\* Rated Current for 90v.

Refer to Section M for torque and heat dissipation curves.

Customer must maintain concentricity between shafts within .010.

### Order Parts for Assembly No. FC305155

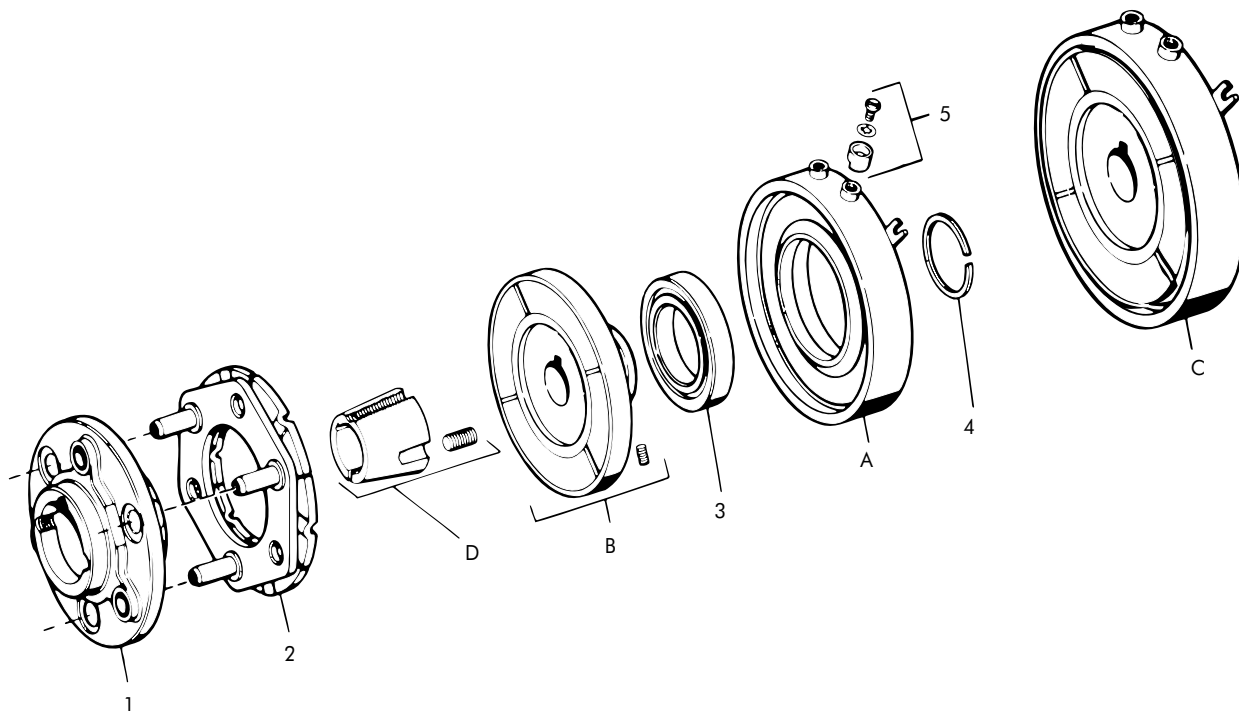
|          | Armature Plate Assembly | Armature Hub Assembly | Bearing Mounted Rotor & Field |          |          |          |          | 1215 Taper Bushing |
|----------|-------------------------|-----------------------|-------------------------------|----------|----------|----------|----------|--------------------|
|          |                         |                       | Bore "B"                      |          |          |          |          |                    |
|          |                         |                       | 3/4"                          | 7/8"     | 1"       | 1-1/8"   | 1-1/4"   |                    |
| 24 Volts | 305381                  | 305450                | 305773-1                      | 305773-2 | 305773-4 | 305773-5 | 305773-6 | 326058-XX          |
| 90 Volts | 305381                  | 305450                | 305774-1                      | 305774-2 | 305774-4 | 305774-5 | 305774-6 | 326058-XX          |

To order, specify:

- 1, Armature Plate Assembly
- 1, Armature Hub Assembly
- 1, Bearing Mounted Rotor and Field of required Voltage and Bore "B" size
- 1, Taper Bushing (1215) of required Bore size.

For controls, see Section K.

# Clutch Coupling – Replacement Parts



## Replacement Parts

| Item | Qty. | Description               | Part No. | Item | Qty. | Description              | Part No.  |
|------|------|---------------------------|----------|------|------|--------------------------|-----------|
| 1    | 1    | Armature Hub Assembly     | 305450   | C    | 1    | Rotor and Field Assembly |           |
| 2    | 1    | Armature Plate Assy.      | 305381   |      |      | 24 Volts, 3/4" Bore      | 305773-1  |
| 3    | 1    | Bearing                   | DY-6953  |      |      | 24 Volts, 7/8" Bore      | 305773-2  |
| 4    | 1    | Retaining Ring (External) | DY-12712 |      |      | 24 Volts, 1" Bore        | 305773-4  |
| 5    | 1    | Magnet Accessory          | 326146-1 |      |      | 24 Volts, 1-1/8" Bore    | 305773-5  |
| A    | 1    | Field                     |          |      |      | 24 Volts, 1-1/4" Bore    | 305773-6  |
|      |      | 24 Volts                  | 305333   |      |      | 90 Volts, 3/4" Bore      | 305774-1  |
|      |      | 90 Volts                  | 305334   |      |      | 90 Volts, 7/8" Bore      | 305774-2  |
| B    | 1    | Rotor Assembly            |          |      |      | 90 Volts, 1" Bore        | 305774-4  |
|      |      | 3/4" Bore                 | 305556-1 |      |      | 90 Volts, 1-1/8" Bore    | 305774-5  |
|      |      | 7/8" Bore                 | 305556-2 |      |      | 90 Volts, 1-1/4" Bore    | 305774-6  |
|      |      | 1" Bore                   | 305556-4 | D    | 1    | Taper Bushing (1215)     | 326058-XX |
|      |      | 1-1/8" Bore               | 305556-5 |      |      |                          |           |
|      |      | 1-1/4" Bore               | 305556-6 |      |      |                          |           |

\* Current design armatures are solid.