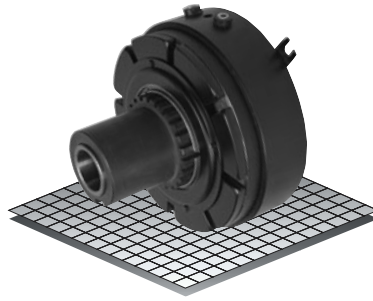
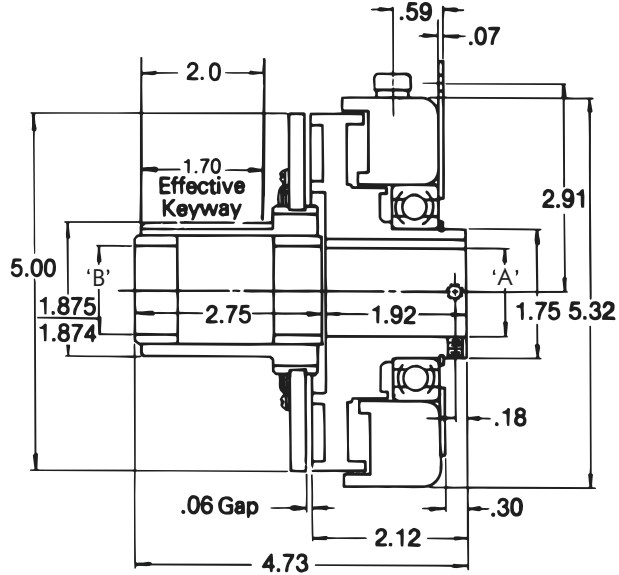
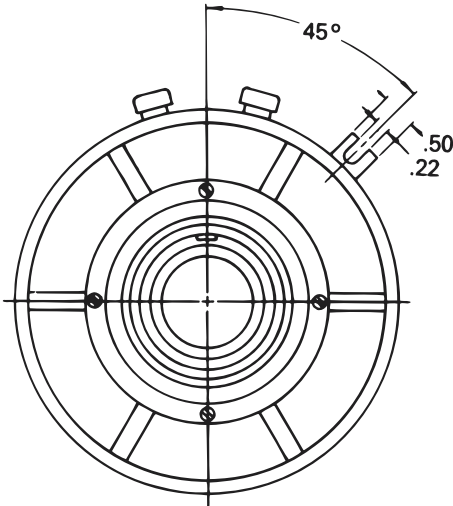


Clutch

Model
● 305



- ▶ Stationary Field
- ▶ Bearing Mounted
- ▶ Spline Drive
- ▶ Extended Hub



Customer to supply set collar/retaining device to maintain axial position of extended hub on shaft.

Bore "B"	Keyway
1"	.375 x .187
1-1/4"	.375 x .125*
Bore "A"	Keyway
1"	.250 x .125
1-1/4"	.250 x .125

*Special Rectangular Key Supplied with Hub

Technical Data and Torque (In. Lb.)

Model No.	Wt. Lbs.	Static Torque in. lb.	Max. Speed RPM	Coil Voltage vdc	* Rated Current amps	RPM									
						0	300	600	900	1200	1500	1800	2400	3000	3600
305	4.5	684	3600	90	.40	684	624	564	516	468	420	384	324	288	252

* Rated Current for 90v.
Refer to Section M for torque and heat dissipation curves.

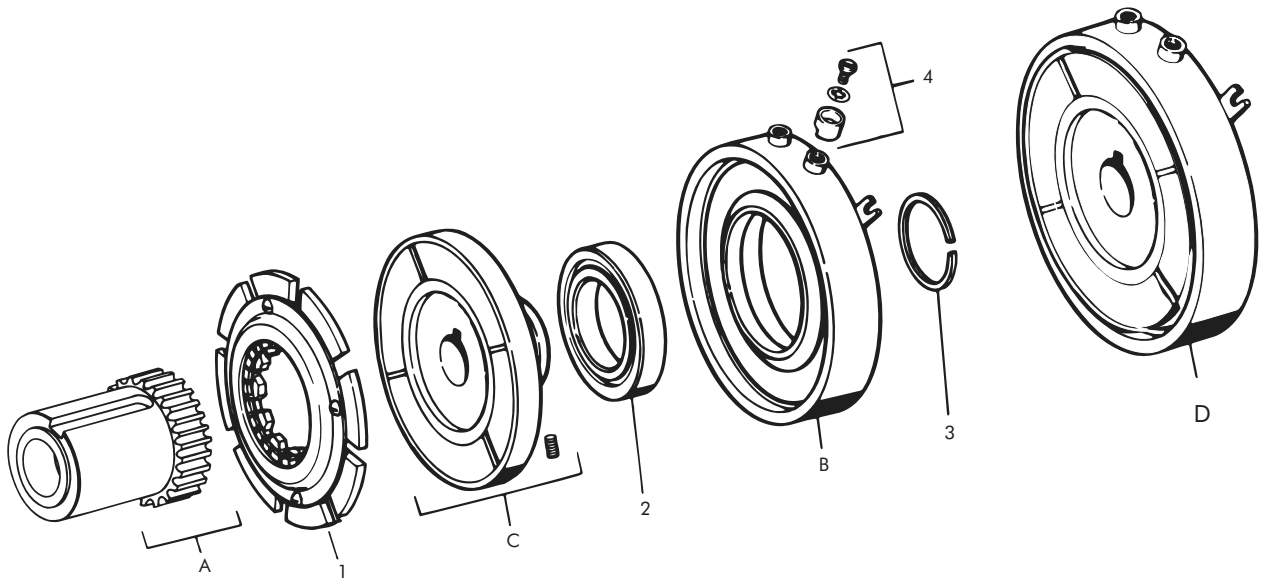
Order Parts for Assembly No. FC305160

Bore	Bearing Mounted Rotor & Field		Armature Plate Assembly	Armature Hub
	24 Volts	90 Volts		
1"	305773-4	305774-4	305396-1	305458-3
1-1/4"	305773-6	305774-6	305396-1	305458-7

To order, specify: 1, Bearing Mounted Rotor and Field of required Voltage and Bore size
1, Armature Plate Assembly
1, Armature Hub of required Bore size

For controls, see Section K.

Clutch – Replacement Parts



Replacement Parts

Item	Qty.	Description	Part No.	Item	Qty.	Description	Part No.
1	1	Armature Plate Assy. (24 Teeth)	305396-1	D	1	Bearing Mounted Rotor and Field	
2	1	Bearing	DY-6953			24 Volts, 3/4" Bore	305773-1
3	1	Retaining Ring (External)	DY-12712			24 Volts, 7/8" Bore	305773-2
4	1	Magnet Accessory	326146-1			24 Volts, 1" Bore	305773-4
A	1	Armature Hub				24 Volts, 1-1/8" Bore	305773-5
		1" Bore	305458-3			24 Volts, 1-1/4" Bore	305773-6
		1-1/4" Bore	305458-7			90 Volts, 3/4" Bore	305774-1
B	1	Field				90 Volts, 7/8" Bore	305774-2
		24 Volts	305333			90 Volts, 1" Bore	305774-4
		90 Volts	305334			90 Volts, 1-1/8" Bore	305774-5
C	1	Rotor Assembly				90 Volts, 1-1/4" Bore	305774-6
		3/4" Bore	305556-1				
		7/8" Bore	305556-2				
		1" Bore	305556-4				
		1-1/8" Bore	305556-5				
		1-1/4" Bore	305556-6				