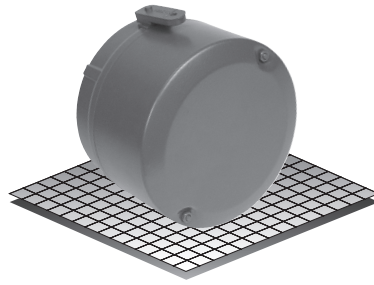


# AC Motor Brakes

# Enclosed Housing

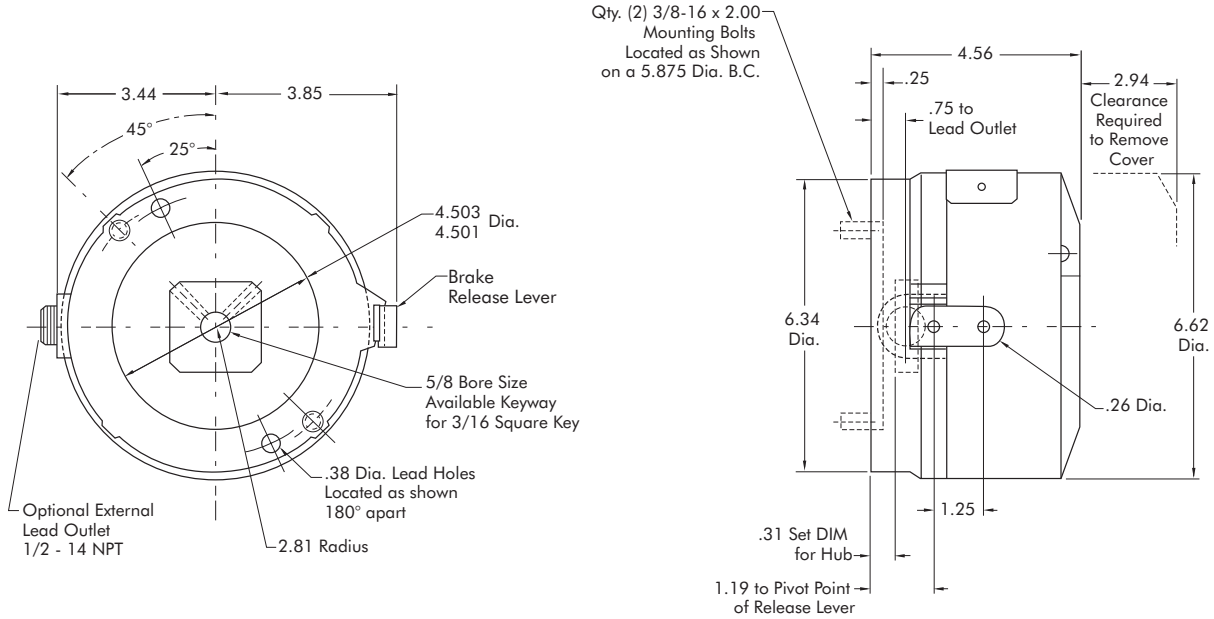
Models

- SSMBP-56AC-3
- SSMBP-56AC-6



- ▶ Factory Assembled and Tested
- ▶ Manual Release
- ▶ AC Power Off
- ▶ Rear Mounted
- ▶ 56C

## AC Rear Mounted Brake



## Technical Data and Torque (Ft. Lb.)

Model No.	Wt. Lbs.	Static Torque Ft. Lb.	SINGLE PHASE, 60 HZ			SINGLE PHASE, 60HZ		
			Voltage	Current Holding Amps	Current Inrush Amps	Voltage	Current Holding Amps	Current Inrush Amps
SSMBP-56AC-3	10	3	115/230	.54/.27	4.8/2.4	230/460	.27/.13	2.6/1.3
SSMBP-56AC-6	10	6						

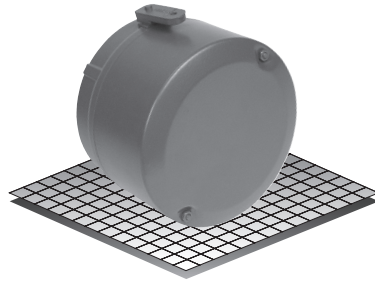
	Model No.	
	SSMBP-56AC-3	SSMBP-56AC-6
115/230, 60HZ	F51A0321	F52A0621
230/460, 60HZ	F51A0324	F52A0624
Service Parts	All 3 Ft. Lb. Brakes	All 6 Ft. Lb. Brakes
Friction Disc Kit	327201	327202
Solenoid 115/230, 60HZ	327203	327203
Solenoid 230/460, 60HZ	327204	327204

# Enclosed Housing

# AC Motor Brakes

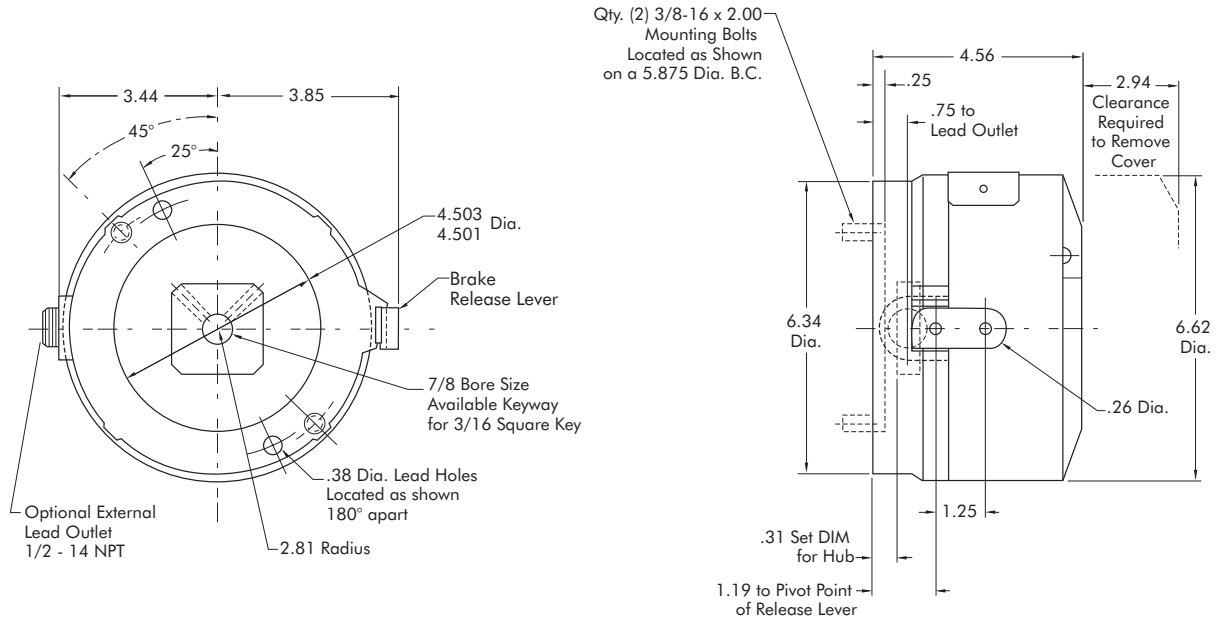
Model

● SSMBP-145AC-10



- ▶ Factory Assembled and Tested
- ▶ Manual Release
- ▶ AC Power Off
- ▶ Rear Mounted
- ▶ 145TC

## AC Rear Mounted Brake



## Technical Data and Torque (Ft. Lb.)

Model No.	Wt. Lbs.	Static Torque Ft. Lb.	SINGLE PHASE, 60HZ		
			Voltage	Current Holding Amps	Current Inrush Amps
SSMBP-145AC-10	10	10	230/460	.27/.13	2.6/1.3

	Model No.
	SSMBP-145AC-10
230/460, 60HZ	F52C0724
Service Parts	All 10 Ft. Lb. Brakes
Friction Disc Kit	327202
Solenoid 230/460, 60HZ	327204