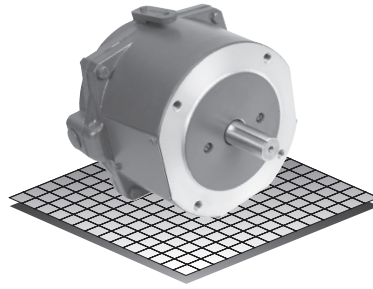


# AC Motor Brakes

# Enclosed Housing

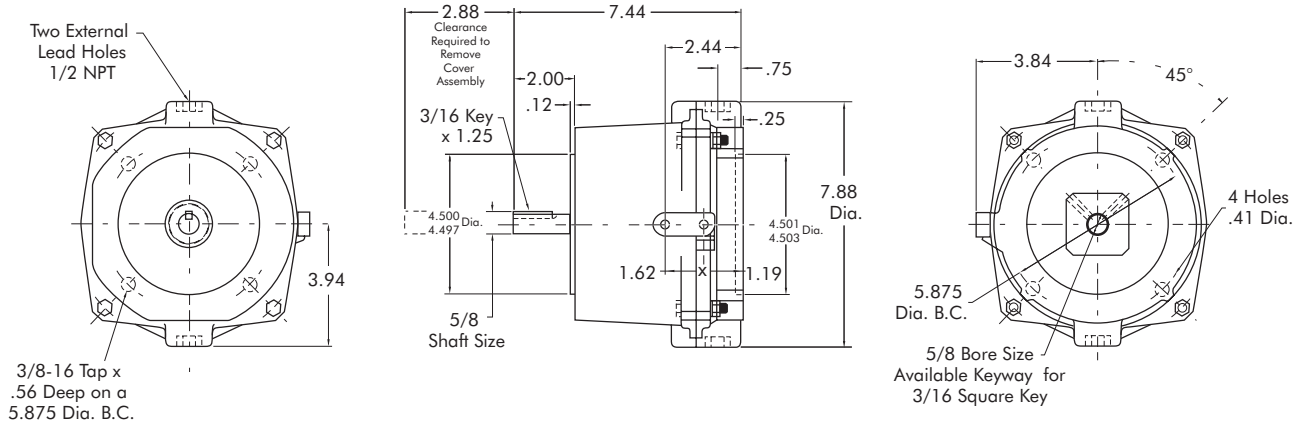
Models

- SSBP-56AC-3
- SSBP-56AC-6



- ▶ Factory Assembled and Tested
- ▶ Manual Release
- ▶ AC Power Off
- ▶ Coupler
- ▶ 56C

## AC Coupler Brake



## Technical Data and Torque (Ft. Lb.)

Model No.	Wt. Lbs.	Static Torque Ft. Lb.	SINGLE PHASE, 60 HZ			SINGLE PHASE, 60HZ		
			Voltage	Current Holding Amps	Current Inrush Amps	Voltage	Current Holding Amps	Current Inrush Amps
SSBP-56AC-3	13	3	115/230	.54/.27	4.8/2.4	230/460	.27/.13	2.6/1.3
SSBP-56AC-6	13	6						

	Model No.	
	SSBP-56AC-3	SSBP-56AC-6
115/230, 60HZ	M51A0321	M52A0621
230/460, 60HZ	M51A0324	M52A0624
Service Parts	All 3 Ft. Lb. Brakes	All 6 Ft. Lb. Brakes
Friction Disc Kit	327201	327202
Solenoid 115/230, 60HZ	327203	327203
Solenoid 230/460, 60HZ	327204	327204

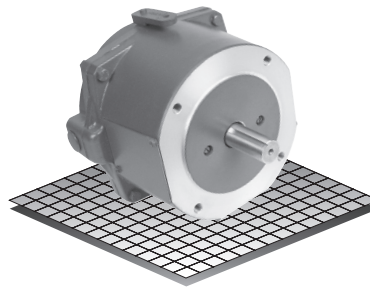
Must be direct-coupled; not recommended for belted or other overhung load applications.

# Enclosed Housing

# AC Motor Brakes

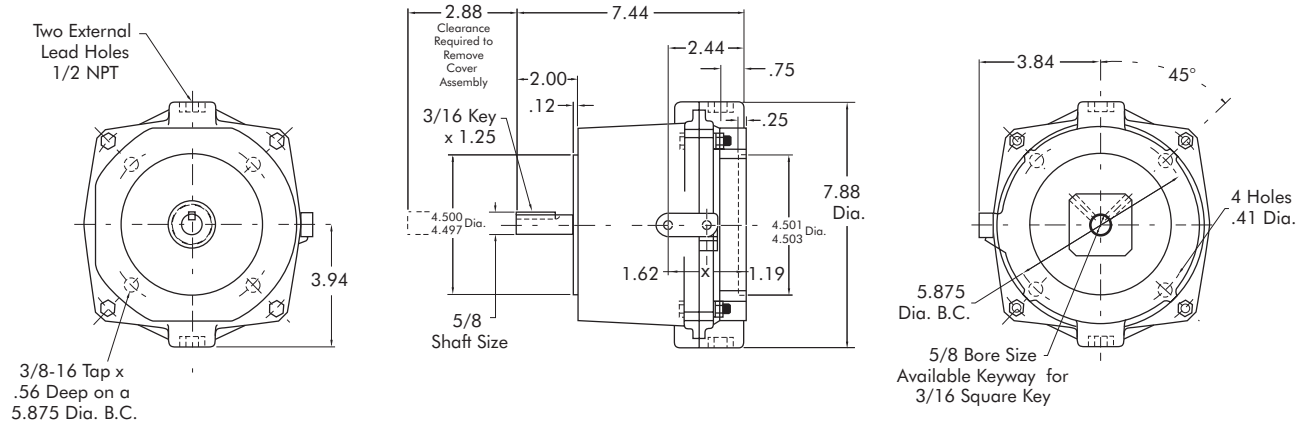
Model

● SSBP-56AC-10



- ▶ Factory Assembled and Tested
- ▶ Manual Release
- ▶ AC Power Off
- ▶ Coupler
- ▶ 56C

## AC Coupler Brake



### Technical Data and Torque (Ft. Lb.)

Model No.	Wt. Lbs.	Static Torque Ft. Lb.	SINGLE PHASE, 60 HZ		
			Voltage	Current Holding Amps	Current Inrush Amps
SSBP-56AC-10	13	10	115/230	.54/.27	4.8/2.4

	Model No.
	SSBP-56AC-10
115/230, 60HZ	M52A0721
Service Parts	
Friction Disc Kit	327202
Solenoid 115/230, 60HZ	327203

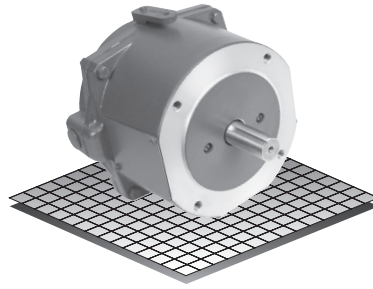
Must be direct-coupled; not recommended for belted or other overhung load applications.

# AC Motor Brakes

# Enclosed Housing

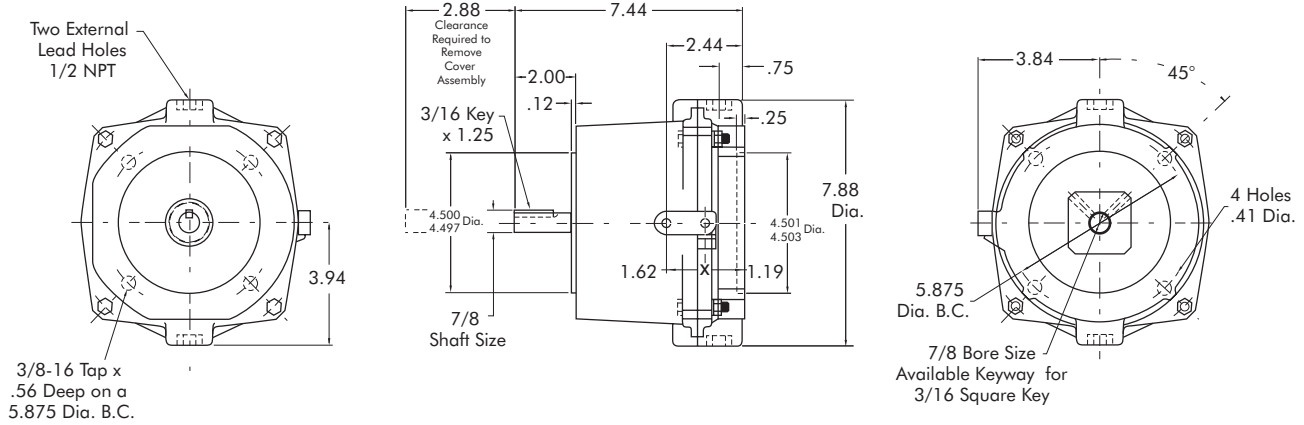
Models

- SSBP-145AC-6
- SSBP-145AC-10



- ▶ Factory Assembled and Tested
- ▶ Manual Release
- ▶ AC Power Off
- ▶ Coupler
- ▶ 145TC

## AC Coupler Brake



### Technical Data and Torque (Ft. Lb.)

Model No.	Wt. Lbs.	Static Torque Ft. Lb.	SINGLE PHASE, 60 HZ		
			Voltage	Current Holding Amps	Current Inrush Amps
SSBP-145AC-6	13	6	115/230	.54/.27	4.8/2.4
SSBP-145AC-10	13	10			

	Model No.	
	SSBP-145AC-6	SSBP-145AC-10
115/230, 60HZ	M52A0621	M52A0721
Service Parts		
Friction Disc Kit	327202	327202
Solenoid 115/230, 60HZ	327203	327203

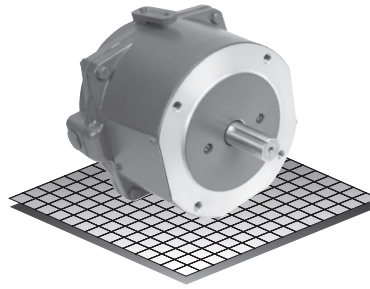
Must be direct-coupled; not recommended for belted or other overhung load applications.

# Enclosed Housing

# AC Motor Brakes

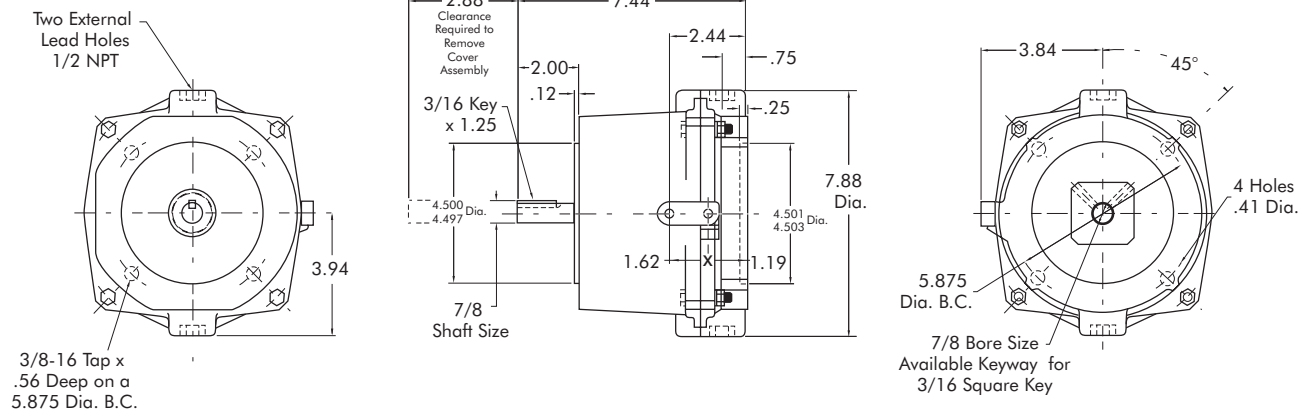
Model

● SSBP-145AC-10



- ▶ Factory Assembled and Tested
- ▶ Manual Release
- ▶ AC Power Off
- ▶ Coupler
- ▶ 145TC

## AC Coupler Brake



### Technical Data and Torque (Ft. Lb.)

Model No.	Wt. Lbs.	Static Torque Ft. Lb.	SINGLE PHASE, 60HZ		
			Voltage	Current Holding Amps	Current Inrush Amps
SSBP-145AC-10	13	10	230/460	.27/.13	2.6/1.3

	Model No.
	SSBP-145AC-10
230/460, 60HZ	M52C0724
Service Parts	All 10 Ft. Lb. Brakes
Friction Disc Kit	327202
Solenoid 230/460, 60HZ	327204

Must be direct-coupled; not recommended for belted or other overhung load applications.